

METAL ENCLOSURES & CHAMBERS



PRODUCTS

SAYTECH, provide a wide range of enclosure to suit multiple applications for a cost effective solution that can be delivered rapidly.

- Junction box
- Plastic enclosure
- Handheld enclosure
- Aluminium enclosure
- Diecast aluminium box
- 19"rack mount enclosure
- IP67 waterproof enclosure
- Stainless steel and mild steel box
- Radio frequency shielded chamber
- We also provide customization services, such as CNC machining and Laser cutting.



Plot No 294, China Market Iqbal Town Thattha Khalil Road Taxila



+92-300 5704739



info@saytechsolutions.cm



www.saytechsolutions.com

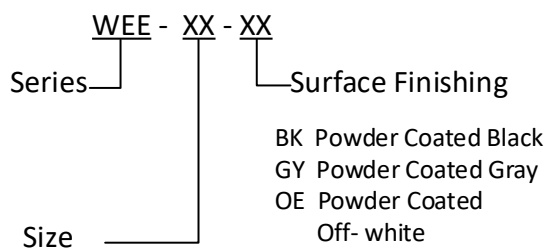
ELECTRICAL ENCLOSURES are needed for housing delicate and often dangerous electrical equipment inside. An electrical enclosure will help you to protect your equipment against dust, moisture and prying eyes.

Our electrical enclosures and distribution cabinets (up to 2 mm thick) are professionally built using high-quality casings and doors with specialized bending techniques (cabinet depths up to 400 mm from one piece).

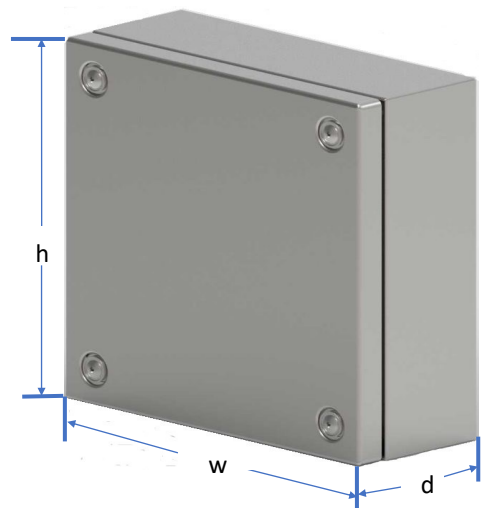
Contact our expert sales team for further information or project prices.

WALL MOUNT ELECTRICAL ENCLOSURE

Product Ordering Information



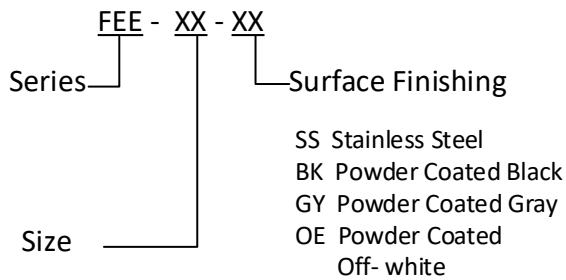
Size	h (mm)	w (mm)	d (mm)
01	400	300	200
02	500	350	200
03	600	400	250
04	750	500	250



FREE STANDING ELECTRICAL ENCLOSURE

Wide selection of two door electrical enclosure designed to house electrical and electronic controls, instruments and components. Indoor and outdoor enclosures are available in metal, stainless steel to provide protection from dust, weatherproof or waterproof, washdown and corrosive environments.

Product Ordering Information



Size	h (mm)	w (mm)	d (mm)
01	1000	1000	300
02	1500	1000	300
03	1800	1200	350
04	2000	1200	400
05	User Defined Dimension		



RADIO FREQUENCY CHAMBERS Our designed chambers can be used for RF engineering, telecommunications, wireless technology development, and electromagnetic compatibility (EMC) testing.

Provides shielded environment for testing and measuring RF devices and systems. Hence ensures accurate and reliable results by isolating the Device Under Test (DUT) from external RF interference and minimizing reflections.

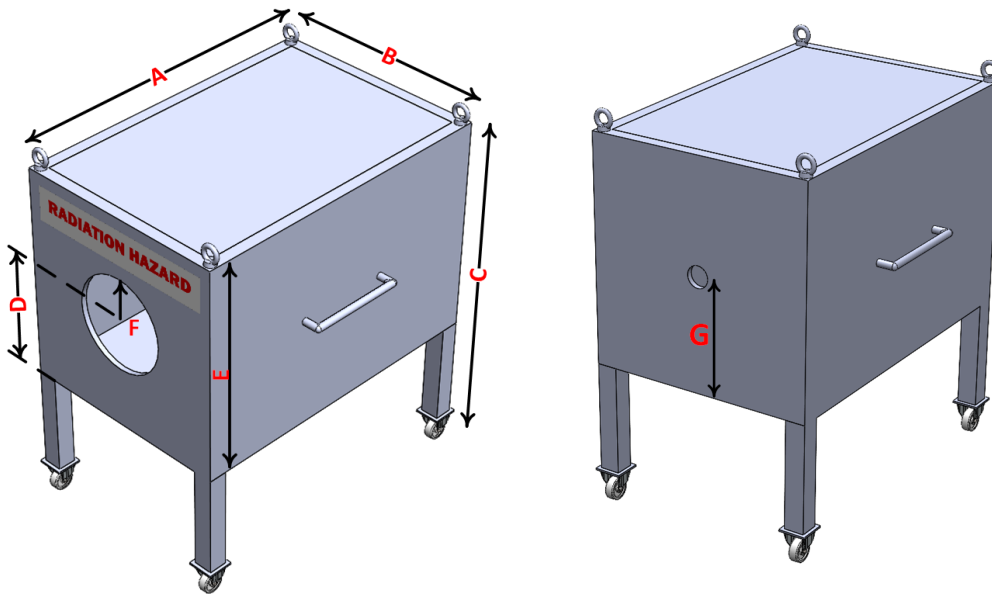
DESKTOP CHAMBER



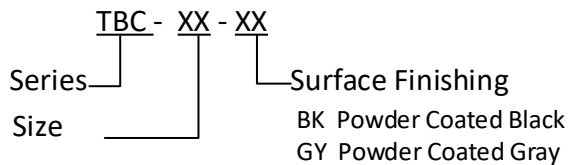
Product Specifications	
Model	STS - 81411
Application	Device Testing
Mounting Type	Desktop/ Free Standing
Features	RF Shielding
Dimensions (mm)	800 mm(W) X 1400 mm(H) X 1100 mm(L)
Material	Sheet Metal
Thickness (mm)	2 mm
Color	Gray
Surface Finishing	Powder Coated

TROLLY BASED RF CHAMBERS

Stand Alone / Trolley Based Rugged Mild Steel Welded Enclosure is a practical & portable isolation chamber designed for providing isolation from unwanted wireless frequencies and a known controlled environment for various wireless technology testing.



Product Ordering Information



Size	A (mm)	B (mm)	C (mm)	D (mm)	E (mm)	F (mm)	G (mm)
01	1670	1059	1655	429.5	1059	200	504
02	1870	1259	1855	629.5	1259	275	604
03	2070	1459	2055	829.5	1459	350	704
04	User Defined Dimension						