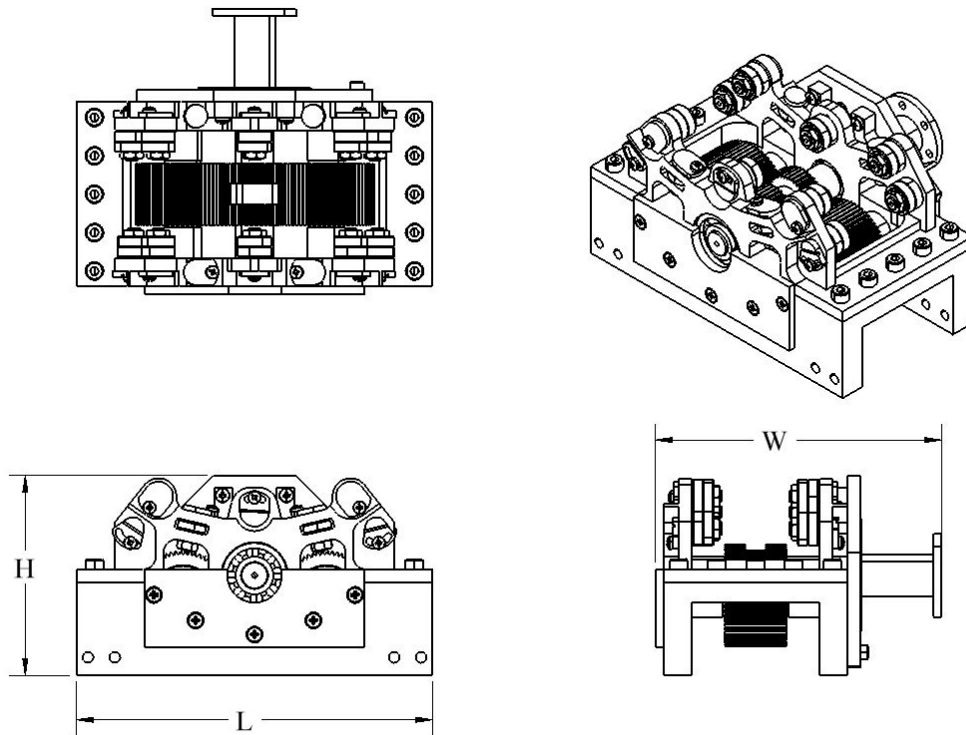


GEAR BOX – Part No. BOX-02-100-PS

- This assembly used for half circle gear fixing. This assembly can be used in applications where half circle motion and 100 percent power transferring is required.
- Powder coat finish / alodining, silver plating/gold plating, screen printing / direct digital printing, and engraving are available (**Note:** While ordering mention the required surface treatment).

Product View



(Dimensions are in mm)

Part No. BOX-02-100-PS.

Material: Gears and Axles material are used Stainless Steel SS 316, Gear fixing and sporting parts material are used Aluminum Alloy AA-7075-T6.

Dimensions (LxWxH): 139 x 111.5 x 78 mm?