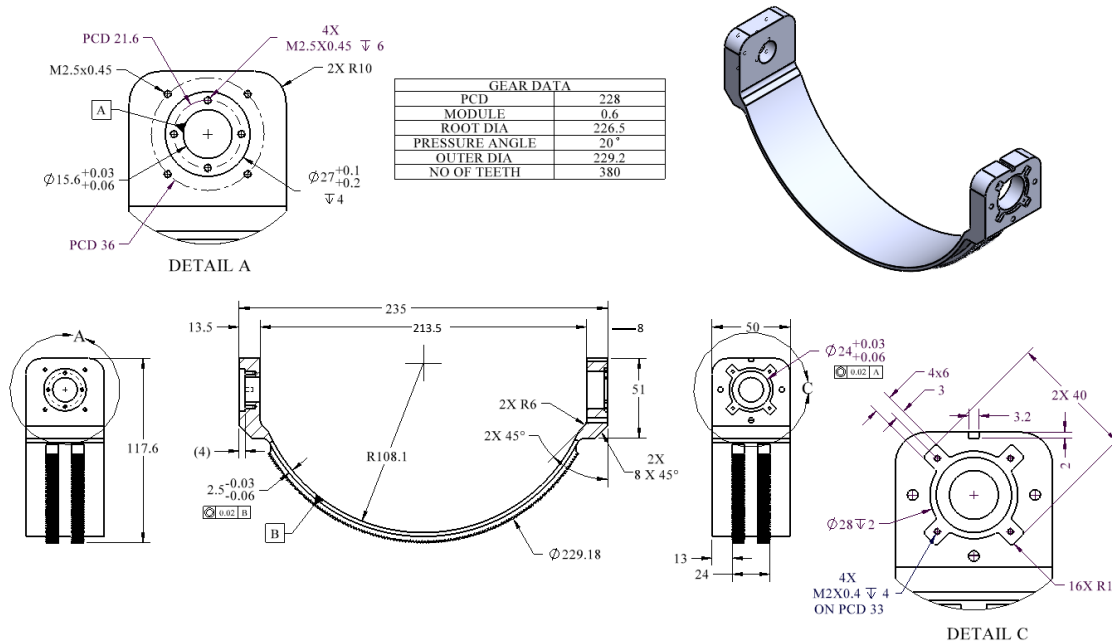


SPUR GEAR – Part No. SG-02-101-MA-TYPE B

- The spur gear can be used in applications where 100 present power transferring is required. Different size gears are available.
- Powder coat finish / alodining, silver plating/gold plating, screen printing / direct digital printing, and engraving are available (**Note:** While ordering mention the required surface treatment).



(Dimensions are in mm)

Part No. SG-02-101-MA. Type-B

Material:

- AISI 8620 STEEL (Gear Material)
- AISI 4140 STEEL (Gear Material)

Dimensions (LxWxH): 235 x 117.6 x 50 mm?