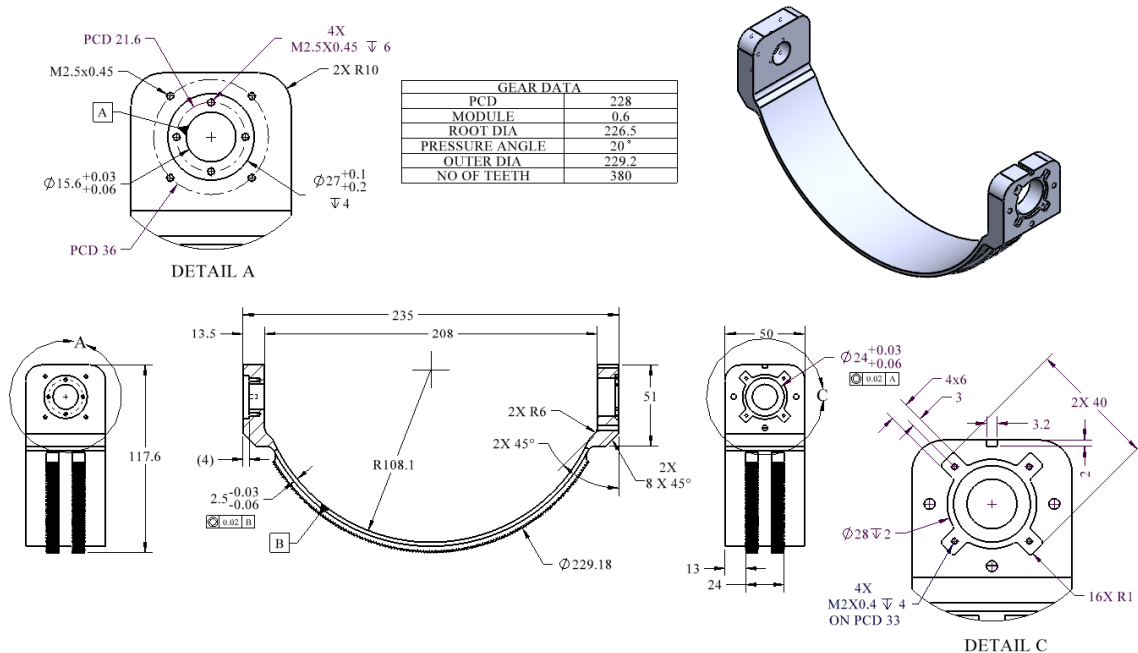


## SPUR GEAR – Part No. SG-02-101-MA

- The spur gear can be used in applications where 100 percent power transferring is required. Different size gears are available.
- Powder coat finish / alodining, silver plating/gold plating, screen printing / direct digital printing, and engraving are available (**Note:** While ordering mention the required surface treatment).



(Dimensions are in mm)

**Part No.** SG-02-101-MA.

**Material:** Stainless Steel SS-316.

**Dimensions (LxWxH):** 235 x 117.6 x 50 mm?