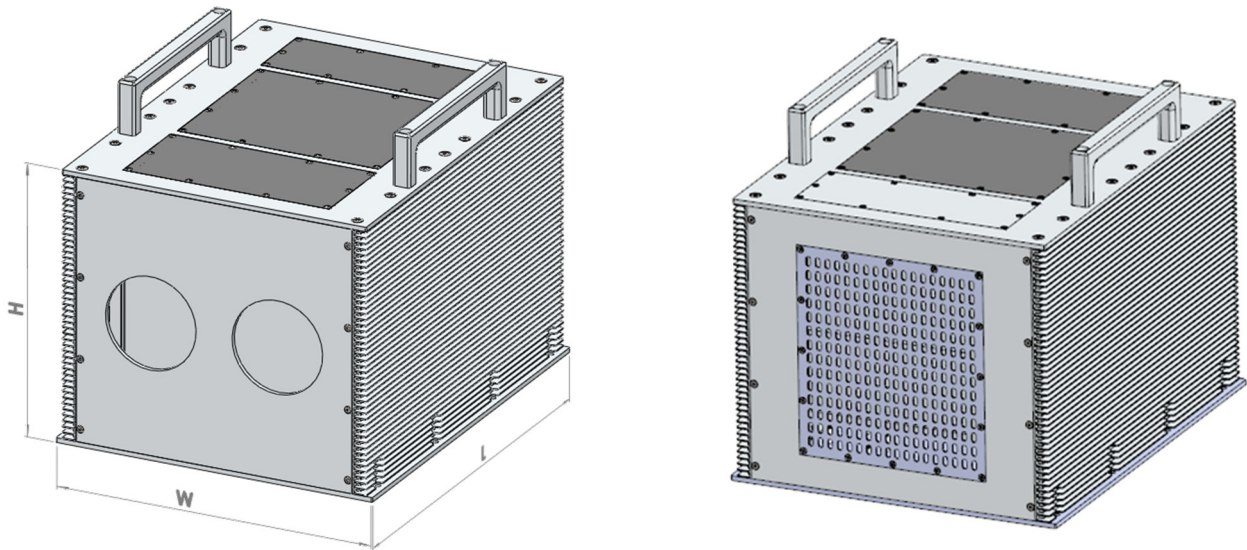


GENERAL PURPOSE ENCLOSURE

Part No. ST-AVCS-101

- This general purpose enclosure is used for the compact packaging of different electronic modules.
- Powder coat finish/ allodining/ silver plating/ screen printing/ direct digital printing and engraving are available (Note: While ordering mention the required surface treatment)
- Minor customization is available as per requirement by the end user.

Product View



Part No. ST-AVCSBOX-101

Material: Aluminum Alloy AA-7075-T6

Dimensions (LxWxH): 350 mm X 279.5 mm X 234 mm

Weight: ≤ 7 K



Plot 294, China Market, Iqbal Town,
Thattha Khalil Road, Taxila. +92 300 5704739

Email: info@saytechsolution.com
website: www.saytechsolutions.com