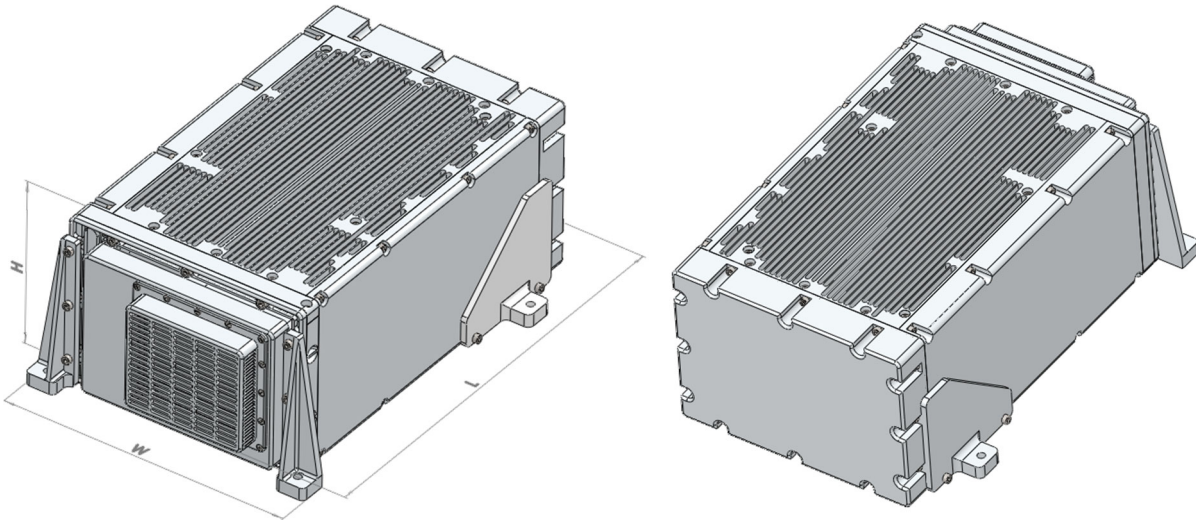


# COMPACT GENERAL PURPOSE ENCLOSURE

## Part No. ST-OPTENCL-201

### Product View

- This compact general purpose enclosure is used for the compact packaging of different electronic modules.
- Powder coat finish/ allodining/ silver plating/ screen printing/ direct digital printing and engraving are available (Note: While ordering mention the required surface treatment)
- Minor customization is available as per requirement by the end user.



**Part No.** ST-OPTENCL-201

**Material:** Aluminum Alloy AA-7075-T6

**Dimensions (LxWxH):** 368.1 mm X 245 mm X 142.5 mm

**Weight:** ≤ 5 Kg Approx.

